

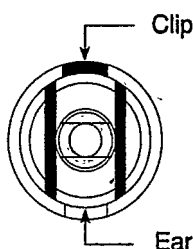


# 92451 REPAIR KIT

(Repairs Nos. 92450 and  
1225 Cartridges)

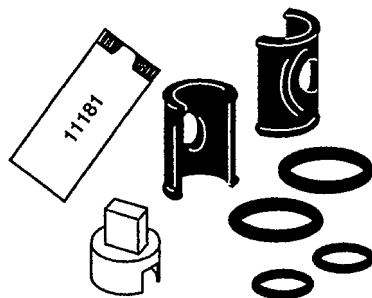
## REPLACEMENT KIT INSTRUCTIONS

For Repair of Leaks or Drips from Spout and/or Handle



**CAUTION:** Always turn water OFF before disassembling the faucet. Open faucet handles to relieve water pressure and insure that complete water shut-off has been accomplished.

After reinstalling cartridge make sure that the cartridge retainer clip is in place. If the retainer clip is not properly installed, water pressure could force the cartridge out of the casting. Personal injury or water damage to the premises could result.

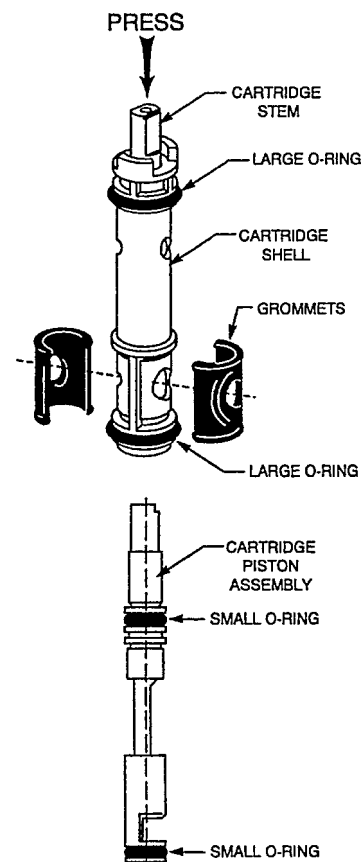


### Replacement Kit Contents:

- 2 Grommets
- 2 Large O-Rings
- 2 Small O-Rings
- 1 Twisting Tool
- 1 Grease Pack

1. Remove cartridge from faucet as shown in the disassembly instructions on the following pages.
2. Hold cartridge shell firmly in hand and press exposed portion of cartridge stem down as far as possible, then grasp exposed portion of piston assembly from other end and pull out completely (be careful not to drop or bend).
3. Remove the two small o-rings from the piston assembly. Lightly lubricate the two new o-rings with silicone grease (furnished) and then carefully install in locations shown.
4. Carefully reinstall stem assembly into cartridge shell (reverse of step 2).
5. Lightly lubricate both sides of the new grommets with silicone grease (furnished). Pull off old grommets and press the new ones into place.
6. Remove the two large o-rings from the cartridge shell. Lightly lubricate the new o-rings with silicone grease (furnished) and carefully install in the locations shown.
7. Reinstall the cartridge as shown in the reassembly instructions on the following pages.

(See following pages for specific model types)



# TUB/SHOWER MODELS DISASSEMBLY/REASSEMBLY:

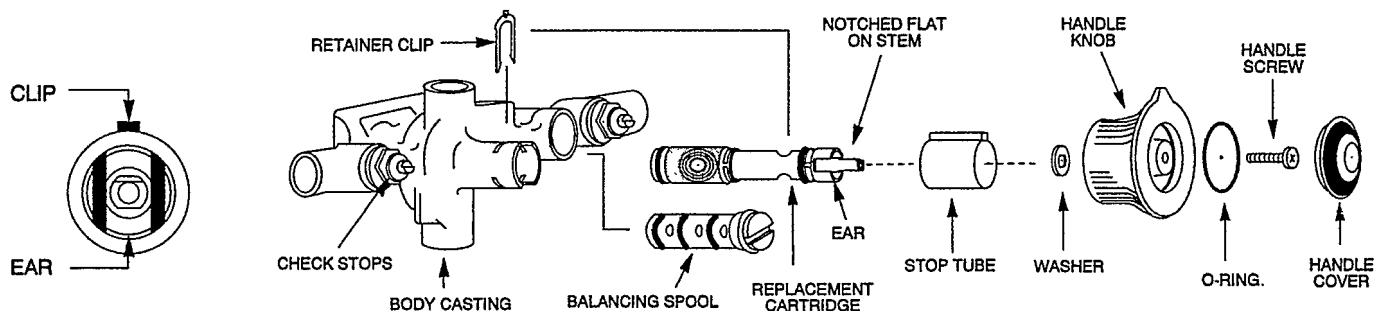
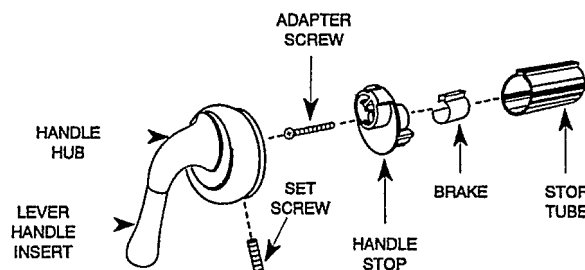
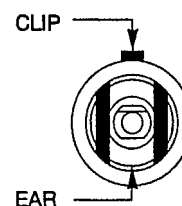
## Disassembly:

1. Remove set screw and slide handle assembly off and set aside. Remove adapter screw, handle stop, and stop tube.
2. Using a pair of pliers, pull cartridge retainer clip out of the valve.
3. Before removing cartridge note the stem position on the cartridge, this will aid in the reassembly of the cartridge to assure the correct position. Grasp the cartridge by the stem with pliers and pull cartridge straight out.

## Reassembly:

To reassemble, reverse the above steps making sure that:

1. You position the cartridge with the ears aligned up and down with body.
2. Notched flat on stem faces UP.
3. Retainer clip straddles the cartridge ears.



## Disassembly:

1. Carefully remove handle parts.  
**For Knob Handle:** Pry out handle cover with a flatbladed instrument. Remove handle screw, knob handle, and washer.  
**For Concentrix Handle:** Unscrew handle cap, remove handle insert and skirt. Turn valve in the mid mix position and remove the handle screw. Pull handle insert adapter outward to remove.
2. Remove the escutcheon and adjustable temperature limit stop to expose the retainer clip.
3. Using a pair of needle nose pliers, pull the retainer clip up and out of the valve.
4. With the cartridge twisting tool (furnished with the new Moen cartridge) and pliers turn the cartridge back and forth between 11 and 1 o'clock, then grasp the cartridge stem and pull out the cartridge. If the cartridge is difficult to remove use a Moen cartridge puller.
5. Using a wide bladed screwdriver, unscrew the balance spool and pull it straight out of the valve.

## Reassembly:

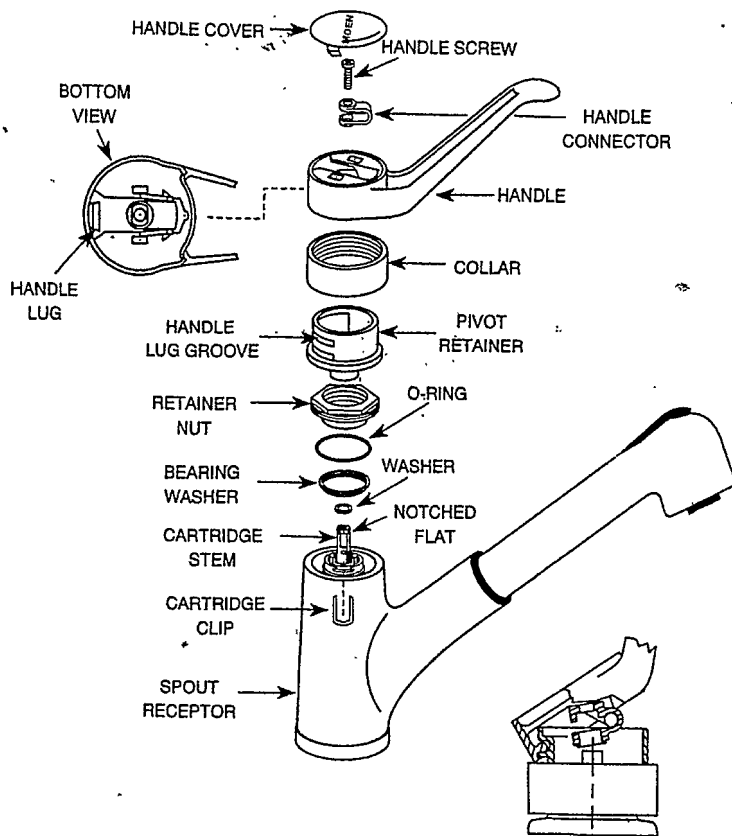
1. Insert balance spool pushing straight into valve, tighten securely with a wide bladed screwdriver.
2. Insert cartridge with the ears on the cartridge shell aligned up and down with the body. Push the cartridge all the way into the body until the front of the ears are flush with the body. The notched flat on the stem must point UP.
3. Replace the retainer clip so that the legs straddle the cartridge ears and slide freely into the bottom slot in the body.
4. Remove adjusting screw and stopnut from adjustable temperature limit stop, install tube onto valve body. **NOTE:** If the adjustable temperature limit stop and escutcheon were removed as a unit they may be re-installed together.
5. Install escutcheon plate with the two screws provided.
6. Replace the adjusting screw and stopnut into the adjustable temperature limit stop.



MOEN INCORPORATED  
377 WOODLAND AVE.  
ELYRIA, OHIO 44036

© Copyright, 1993  
Moen Incorporated  
PRINTED IN U.S.A.

# KITCHEN & LAVATORY MODELS DISASSEMBLY/REASSEMBLY:

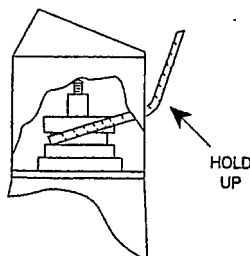


## Disassembly:

1. Pull handle cap up and off.
2. Remove handle screw, using Phillips screwdriver.
3. Lift and tilt handle lever and handle body off.
4. Unscrew and remove retainer pivot nut.
5. Pry out cartridge clip with a flatbladed instrument.
6. Using a Moen cartridge twisting tool (as furnished in the model 1225 cartridge pack) or a Moen cartridge puller, turn cartridge shell back and forth with pliers to loosen. Gripping the cartridge stem with pliers, pull cartridge up and out of faucet body.

## Reassembly:

1. Be sure that cartridge ears are aligned with the slots in the valve body, front to back (see illustration on page 1) With cartridge stem UP, insert new cartridge assembly by pushing down on top of cartridge ears.
2. Re-install the cartridge clip, washer, bearing washer, o-ring and the retainer nut. Tighten snugly by hand.
3. Press cartridge stem down. Holding handle lever UP, hook handle into groove on retainer pivot nut (see illustration below).
4. Swing handle back and forth until it drops into place.
5. Replace handle screw. Tighten securely. Push handle cap assembly down until it snaps into place.
6. If handle won't operate properly, you have not hooked handle ring into groove. Hold handle UP, hook ring in handle housing into groove on retainer pivot nut. Handle must be properly installed or shut-off leak may occur.

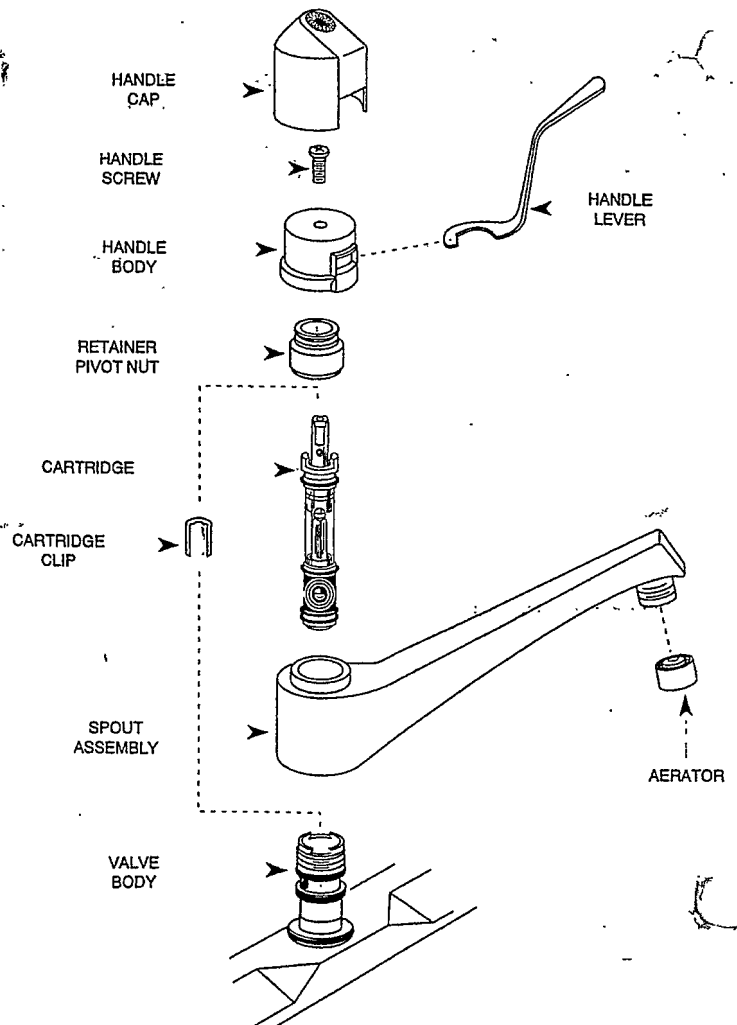


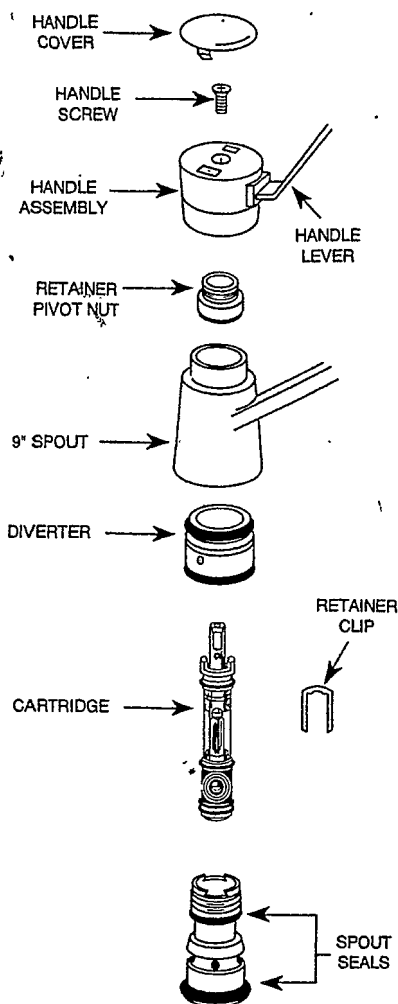
## Disassembly:

1. Carefully pry off handle cover with flatbladed instrument. Remove handle screw, using Phillips screwdriver.
2. Lift handle up and off. Unscrew and remove collar and pivot retainer being careful not to damage the finish.
3. Unscrew and remove retainer nut, o-ring, bearing washer, and washer. Pry out cartridge clip with a flatbladed instrument.
4. Using a Moen cartridge twisting tool (as furnished in the model 1225 cartridge pack, or a Moen cartridge puller) turn cartridge shell back and forth with pliers to loosen.
5. Gripping the cartridge stem with pliers, pull cartridge up and out of faucet body.

## Reassembly:

1. Be sure that cartridge ears are aligned with the slots in the valve body, front to back (see illustration on page 1) With cartridge stem UP, insert new cartridge assembly by pushing down on top of cartridge ears.
2. Re-install the cartridge clip, washer, bearing washer, o-ring and the retainer nut. Tighten snugly by hand.
3. Re-install pivot retainer with grooves facing the back of the faucet. Replace the collar, tighten snugly by hand. Replace the washer.
4. With cartridge stem notch facing forward, hook handle lug (see illustration) into handle groove. Align handle connector with cartridge stem and gently press handle onto cartridge stem.
5. Replace handle screw and press on handle cap.



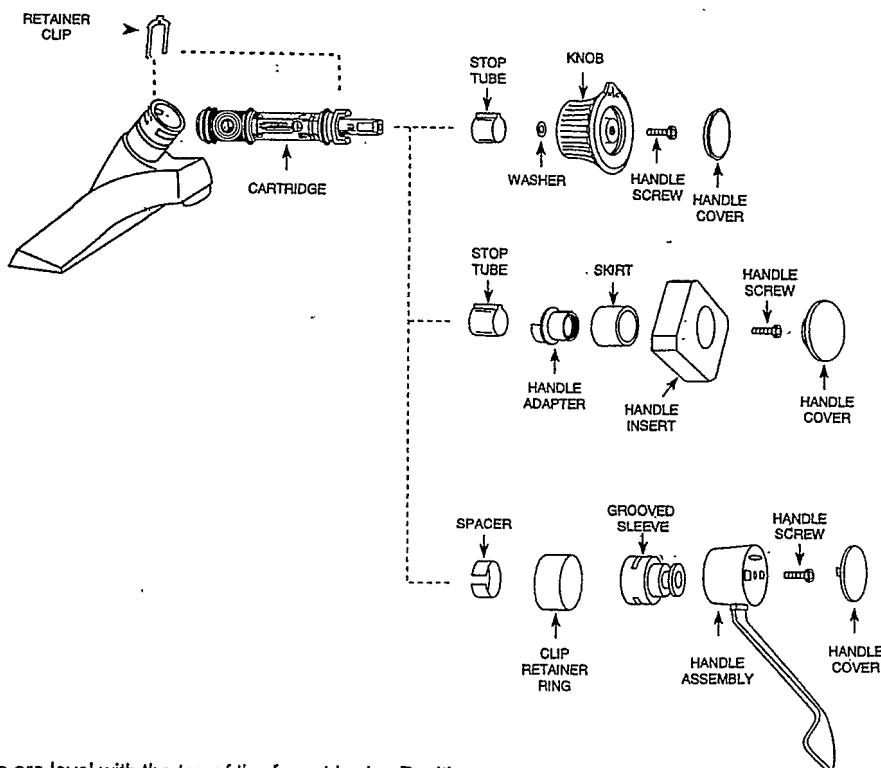
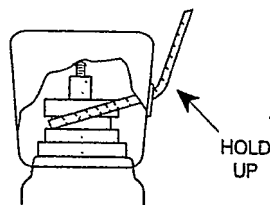


### Disassembly:

1. Carefully remove handle cover (it snaps into place). Remove handle screw.
2. With cartridge stem down, lift and tilt handle lever and handle body off.
3. Unscrew retainer pivot nut.
4. Lift and twist spout off. The diverter can be removed at this point.
5. Pry out retainer clip with screwdriver.
6. Use cartridge twisting tool furnished with the new cartridge and rotate cartridge between 11 and 1 o'clock position.
7. Grasp cartridge stem with pliers. Pull cartridge straight up and out.

### Reassembly:

1. Be sure that cartridge ears are aligned with the slots in the valve body, front to back (see illustration on page 1) With cartridge stem UP, insert new cartridge assembly by pushing down on top of cartridge ears.
2. Turn notched flat of cartridge stem toward front of sink. (NOTE: for cross piping installations, see instructions on back).
3. Re-install the cartridge clip. The diverter can be replaced at any time before the spout is installed.
4. Replace spout. Push down until it nearly touches the faucet escutcheon.
5. Screw on retainer pivot nut. DO NOT CROSS THREAD. Tighten firmly.
6. Press cartridge stem down. Holding handle UP, hook handle ring inside the handle body (see illustration below) into the groove on the retainer pivot nut.
7. Swing handle back and forth until it drops down into place.
8. Replace handle screw. Tighten securely. Push handle cap down until it snaps into place.



### Disassembly:

#### For Knob Models:

1. Remove handle cover, handle screw, knob, stop tube, washer, and retainer clip.

#### For Concentrix Models:

1. Remove handle cover, handle screw, handle insert, handle skirt, handle adapter, stop tube, and retainer clip.

#### For Lever Handle Models:

1. Remove handle cap and handle screw. Lift handle assembly up, keeping cartridge stem in down position and tilt up and off. Remove clip retainer ring and retainer clip. Slide-off grooved sleeve and spacer.

#### For All Models:

2. Using pliers, grasp the cartridge stem and pull out the cartridge. If cartridge is difficult to remove, turn the cartridge shell back and forth with the Moen cartridge twisting tool (furnished with the new Moen cartridge) or use a Moen cartridge puller.

### Reassembly:

1. Fully insert the cartridge until the top of the cartridge ears are level with the top of the faucet body. Position the cartridge ears up and down to allow insertion of the retainer clip. The notched flat on the stem must point UP when mounting Knob or Concentrix Handles, DOWN for Lever Handle models.
3. Replace the retainer clip (for lever models, replace spacer, grooved sleeve, retainer clip and clip retainer ring) so that the legs straddle the cartridge ears and slide down into the bottom slot in the faucet body.
4. Re-install handle parts. Tighten handle screw securely. Press on handle cover.